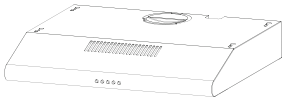
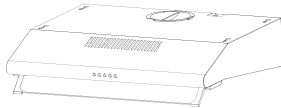


VEES PREMIUM

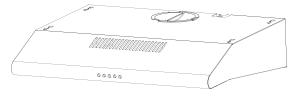
INSTALLATION AND USER'S MANUAL



VSH-908BK



VSH-968BK



VSH-968SS

CONTENT

INTRODUCTION	2
SAFETY PRECAUTION	2-3
WALL MOUNTING INSTALLATION	3-7
INSTALLATION(VENT OUTSIDE).....	4-6
INSTALLATION(VENT INSIDE)	6-7
ISLAND MODEL INSTALLATION	8-11
SLIM MODEL	11-13
OPERATION	15-21
MAINTENANCE	22-23
TROUBLE SHOOTING	23
ENVIRONMENTAL PROTECTION	23

INTRODUCTION

Thank you for choosing this cooker hood.

This instruction manual is designed to provide you with all required instructions related to the installation , use and maintenance of the appliance.

In order to operate the unit correctly and safely , please read this instruction manual carefully before installation and using.

SAFETY PRECAUTION

Never let the children operate the machine.

The cooker hood is for home use only, not suitable for barbecue, roast shop and other commercial purpose.

The cooker hood and its filter should be clean regularly in order to keep in good working condition.

Clean the cooker hood according to the instruction manual and keep the unit from danger of burning. There is a fire risk if cleaning is not carried out in accordance with the instructions.

Please keep the kitchen room a good convection before connecting this appliance; Please check that the power supply cord is not damaged. A damage supply cord must be replaced by qualified service personnel only.

There shall be adequate ventilation of the room when the range hood is used at the same time as appliances burning gas or other fuels; the air must not be discharged into a flue that is used for exhausting fumes from appliances burning gas or other fuels.

Regulations concerning the discharge of air have to be fulfilled.

Do not flame under the range hood.

This appliance can be used by children aged from 8years and above and persons with reduced physical ,sensory or mental capabilities or lack of experience and knowledge if they have been given supervision or instruction concerning use of the appliance in a safe way and understand the hazards involved . Children shall not play with the appliance . Cleaning and user maintenance shall not be made by children without supervision .

If the supply cord is damaged ,it must be replaced by the manufacturer ,its service agent or similarly qualified persons in order to avoid ahazard .

CAUTION: Accessible parts may become hot when used with cooking appliance.

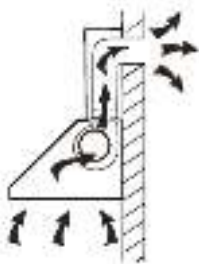
Electrical Shock Hazard

Only plug this unit into a properly earthed outlet. If in doubt, seek advice from a suitably qualified engineer.

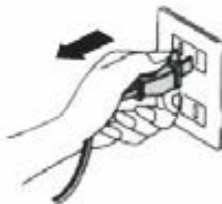
WALL MOUNT INGINSTALLATION

1. Prepare for installation:

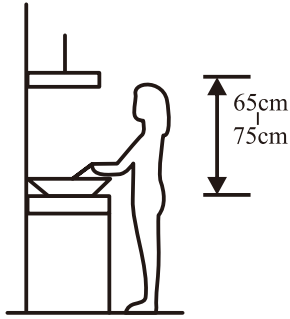
a. If you have an outlet to the outside, your cooker hood can be connected as below picture by means of an extraction duct(with an interior diameter of 150mm).



b. Before installation, turn the unit off and unplug it from the outlet.



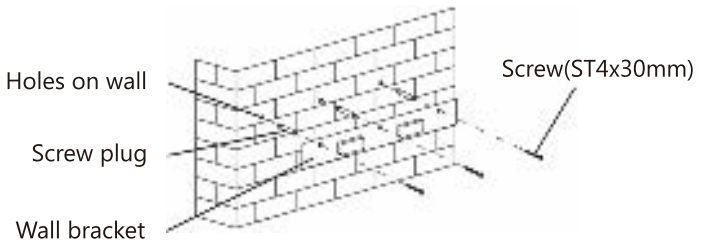
c. The cooker hood should be placed at a distance of 65~75cm above the cooking plane for best effecttion.



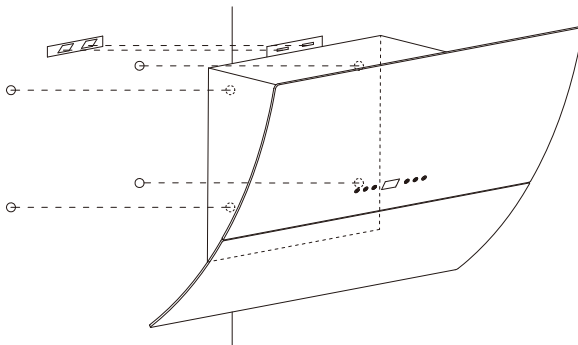
2. Installation (Vent outside):

Attention! Observe the warning in the instruction sheet concerning the operation of the appliance when air is discharged from the room.

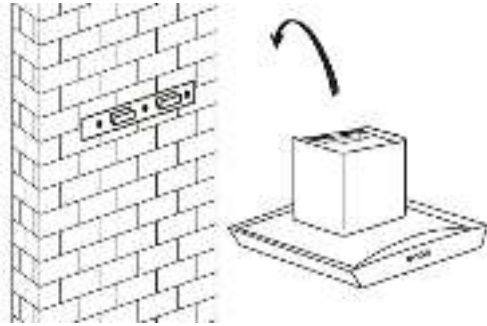
Drill 3 x 8mm holes to accommodate the bracket. Screw and tighten the bracket onto the wall with the screws & screw plugs provided.



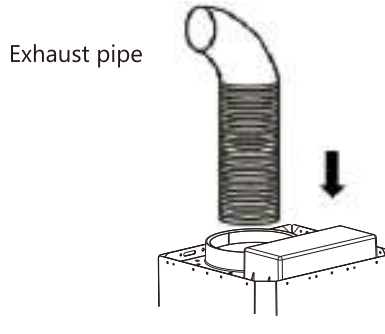
For inclined panel Model, need to drill 4 x 8mm extra holes & fixing screws & screw plugs before installation.



Leave up the cooker hood and hang onto the wall bracket hood.

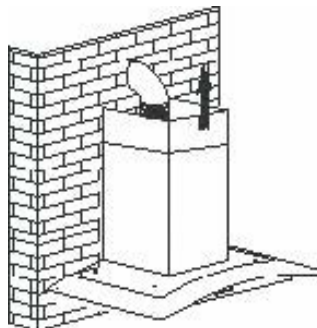


Fix the one-way-valve to the air outlet of the cooker hood. Then, attached the exhaust pipe onto the one-way-valve as shown below.

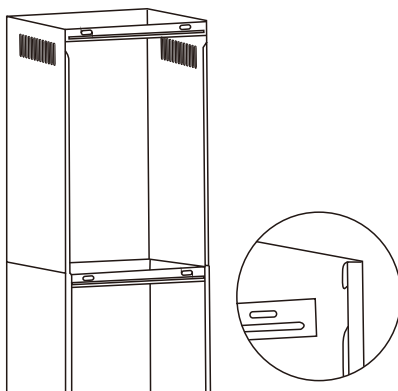


Chimney installation

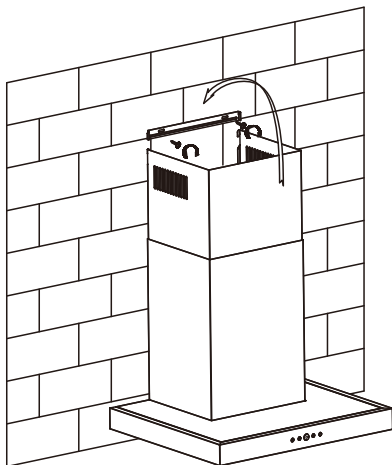
Put the upper chimney into lower chimney. Then pulling out the upper chimney upwards. Adjust to reach the height required.



Sliding the chimney to adjust the chimney height. When the height you required is reached, then hang the fixing hole to the fixing screws as showed in below pictures.

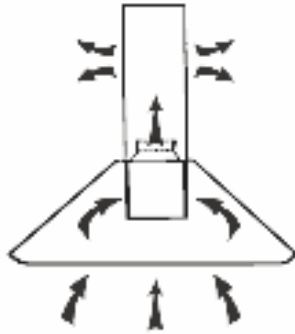


Drill 2x8mm holes to accommodate the plate II. Screw and tighten the upper wall with 2 screws provided.



3. Installation (Vent inside)

If you do not have an outlet to the outside, exhaust pipe is not required and the installation is similar to the one show in section "Installation (Vent outside)".

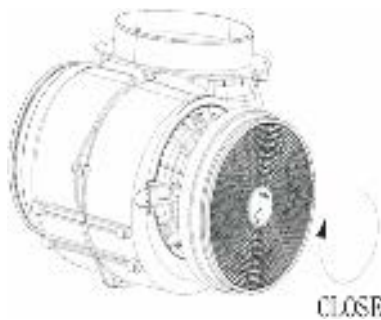


Activated carbon filter can be used to trap odors.

In order to install the activated carbon filter, the grease filter should be detached first. Press the lock and pull it downward.



Plug the activated carbon filter into the unit and turn it in clockwise direction. Repeat the same on the other side.

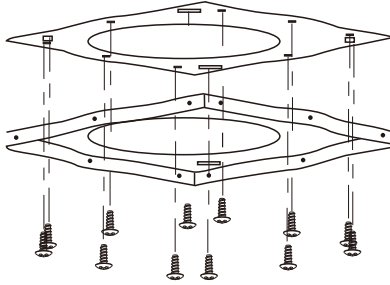


NOTE:

1. Make sure the filter is securely locked. Otherwise, it would loosen and cause dangerous.
2. When activated carbon filter attached, the suction power will be lower.

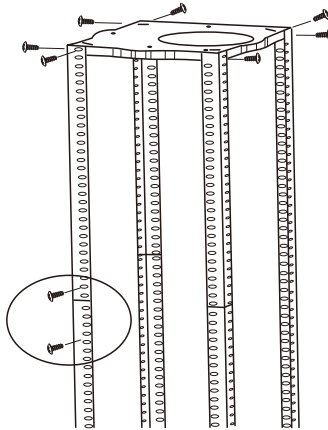
ISLAND MODEL INSTALLATION

Position the hanging plate on the ceiling and then mark the position of the screw holes. The hanging plate should be securely fixed to the ceiling.



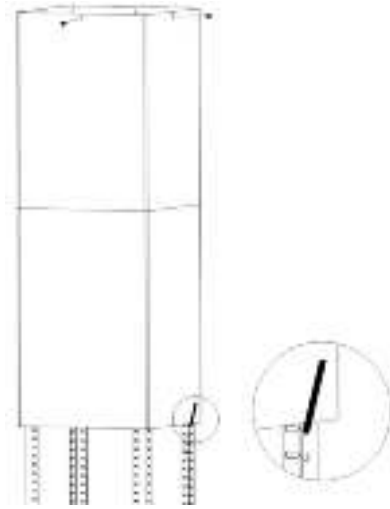
- 1) 11 x ST6(40mm) screws for wooden ceiling
- 2) 8 x expansion bolts for cement ceiling

Fix the angle bars to the hanging plate, using the 8 x M5 screws.



Extend the angle bars to the required height and then fix them in position using the 16 x M5 screws and nuts with metal washers.

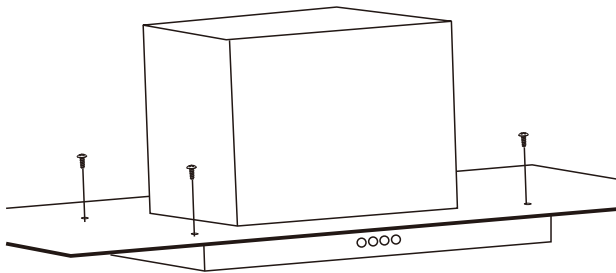
IMPORTANT: The angle bars must have an overlap of AT LEAST 100 mm.



If your cooker hood is going to be used in extraction mode, then you should connect the ducting hose to the ceiling adaptor at this point.

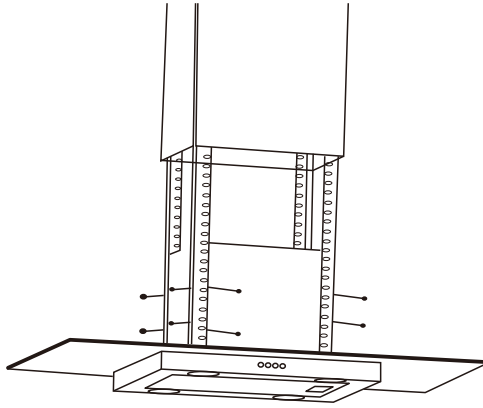
Fix the upper chimney section to the hanging plate, using the 4 x self tapping screws.

Slide the lower chimney section onto the angle bars and raise it until it sits just below the upper chimney section.



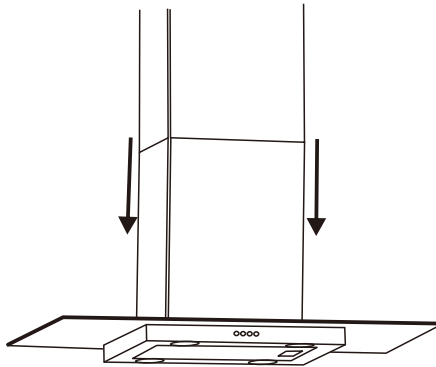
If the glass canopy has not been pre-assembled by the factory, then it should be fixed to the top of the main body of the cooker hood at this stage.

Lift the main body of the cooker hood onto the angle bar and then fix it into position using the 16 x M5 screws.



IMPORTANT: This stage of the installation process **MUST** be completed by two people.

IMPORTANT: The 16 x M5 screws **MUST** be securely tightened.



If you are going to be using the hood in extraction mode, you should fix the ducting hose to the ceiling.

The electrical connection must correspond to the electrical requirement noted on the rating plate, which is placed inside the cooker hood. The appliance should now be connected to the electrical supply.

Check that the appliance is operating correctly by selecting each speed and switching the light bulbs on and off.

Remove the hanging hood and then slide the lower chimney section downwards, until it rests against the main body of the cooker hood.

Use a stainless steel cleaner and polish on the stainless steel sections of the appliance.

If you are using the appliance in recirculation mode, then you should now fit the carbon filter. See the "fitting the carbon filter" section on Page 9.

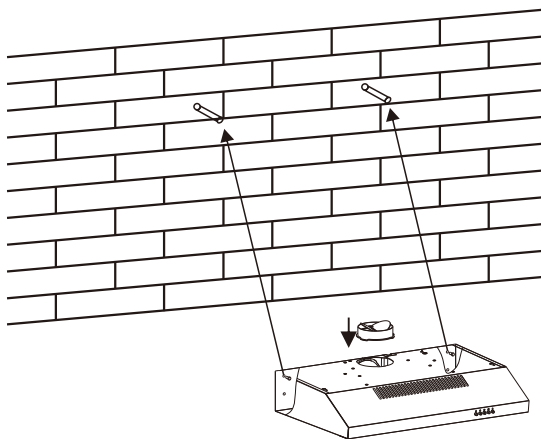
SLIM MODEL INSTALLATION

Way 1:

To install onto the wall drill 2 holes of $\varnothing 8\text{mm}$ on a suitable place according with the centre distance of hole in the back of the cooker hood.

Insert the nut into the holes.

Insert the screws into the nuts and tight. Put the cooker hood onto the tighten screws.



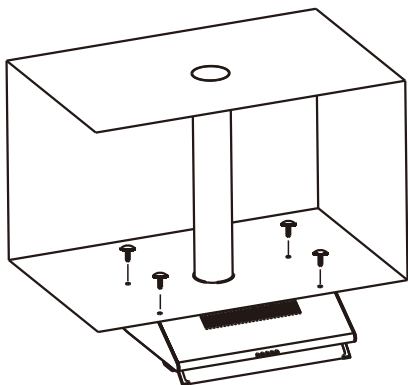
Fix the cooker hood with safety screw. The two safety vents are positioned on the back casing, with diameter of 6mm.

Put the one-way-valve onto the cooker hood.

Way 2:

Drill 4 holes of 6mm diameter at the bottom of the hanging cupboard.

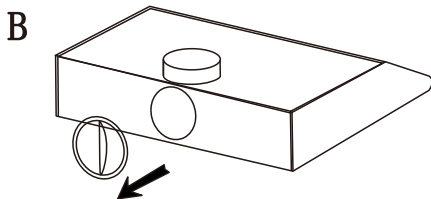
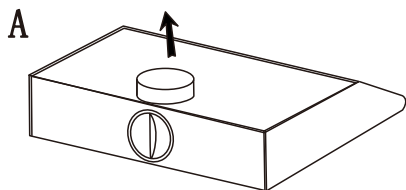
Put the one-way-valve on the cooker hood, then install the cooker hood on the bottom of the hanging cupboard, tighten the hood with enclosed 4 screws.



Note:

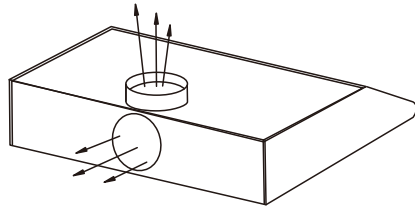
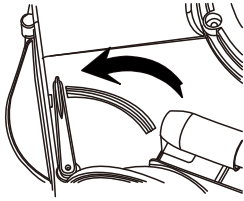
1. The extensible pipe are optional accessory, not supplied.
2. Take off protection film before installation.
3. There are 2 methods for ventilation, including "horizontal ventilation" and "vertical ventilation". Please pay attention to the ventilation method when installation.

Vertical ventilation: See Pic A, please use tool take out the round cover before using and the air can be vented from top horizontal ventilation; See Pic B, take out the round cover before using, and the air can be vented from the back.

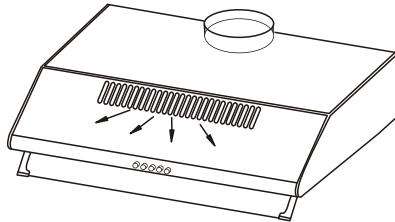
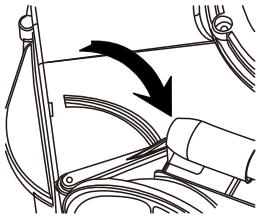


Air Ventilation setting

Outdoor exhausting: Turn the adjuster to outdoor position, install the outlet, turn on the cooker hood, then the air will be vented from the outside outlet.



Recycling: The recycling mode with carbon filter. Turn the adjuster to indoor position, install the outlet cover, turn on the cooker hood, then the air can be vented from the inside outlet.



Note: The carbon filter is mounted on the back of the grill and must be changed every 3 months.

Warning: The charcole cannot be washed or recycled. It should be changed at most after 120 hours using. The carbon filter should not be exposed to heat.

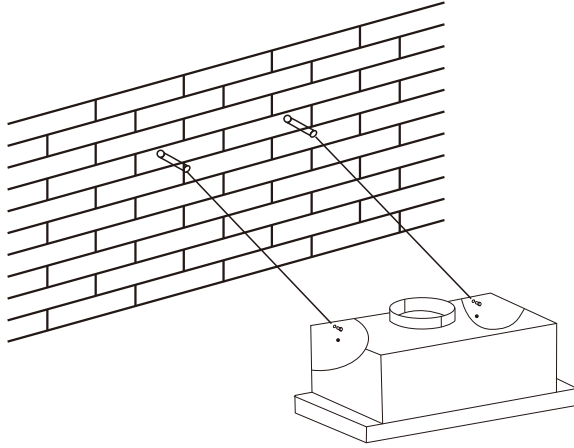
TELESCOPIC MODEL INSTALLATION

Way 1:

To install onto the wall drill 2 holes of $\varnothing 8\text{mm}$ on a suitable place according with the centre distance of hole in the back of the cooker hood.

Insert the nut into the holes.

Insert the screws into the nuts and tight. Put the cooker hood onto the tighten screws.



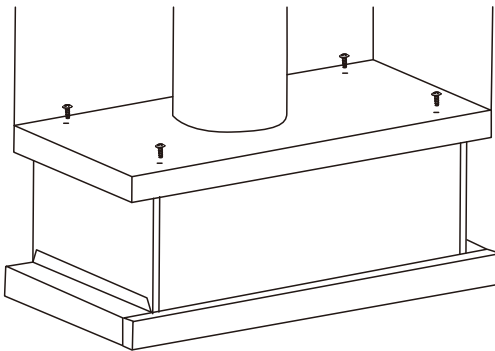
Fix the cooker hood with safety screw. The two safety vents are positioned on the back casing, with diameter of 6mm.

Put the one-way-valve onto the cooker hood.

Way 2:

Drill 4 holes of 6mm diameter at the bottom of the hanging cupboard.

Put the one-way-valve on the cooker hood, then install the cooker hood on the bottom of the hanging cupboard, tighten the hood with enclosed 4 screws.



Note:

1. The extensible pipe are optional accessory, not supplied.
2. Take off protection film before installation.

OPERATION

Mechanical Rocker button

It just appear in TELESCOPIC MODEL.



Light button

On the left side of hood.



Speed button

On the right side of hood.

"=" : high speed level.

"-" : Low speed level.

"0" :Off

Push button



0 Off button

It's used for turning off the fan.

Low Speed button

It's used for Ventilation on the kitchen. It is suitable for simmering and cooking which do not make much steam.

Medium Speed button

Airflow speed is ideally for ventilation in standard cooking operation.

High Speed button

When high density of smoke or steam produced, press high-speed button for highest effective ventilation.

Light button

Electronic button (lighting)



ON/OFF

Press this key to switch on/off the power.

Power decrease

In working condition, press this key to decrease the power level.

Power increase

In working condition, press this key to increase the power level.

Delay timer

When the motor is in working condition, press one time to set up 5 minutes delay, press again to turn off the delay function.

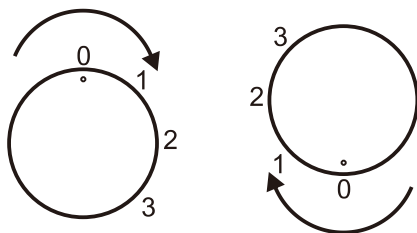
Light

Press one time to turn the lights on, press again to turn the lights off.

Note:

Lights ring: The lights ring for all the keys are on half-brightness condition when the power is on. When press on the key, the lights would go to full-brightness condition. When do not press on the key, the light ring go back to half-brightness. When there is no pressing on the keys for 2 minutes, the lights ring would turn from half-brightness to off condition, would recover o half-brightness when press any key.

ROTATING KNOB SWITCH FUNCTION



Start:

Turn the knob in clockwise direction, the motor level will working from low-middle-high level, then stop. Turn the knob in anticlockwise direction, the motor will working from high-middle-low, then stop.

On stand-by condition, press the knob for 5 seconds, the smoke/heat sensor will be activated. The light ring will rotated in clockwise indicating the smoke/heat function.

Sensor:

In working condition, press the knob for 5 seconds, the delay-off timer will be activated. The power will be shut down in 5 minutes. The light ring will be rotated in anticlockwise direction to indicate the timer is working.

In working condition, the light ring rotates in fast/slow speed to indicate the speed of power.

Press the knob in short time to turn on/off the light in all the conditions.

Touch control (T01)



 **ON/OFF**

Press this key to turn the power on or off.

 **Power decrease**

In working condition, press this key to decrease the power level (the ON/OFF key light would be flashed slowly).

 **Power increase**

In working condition, press this key to increase the power level (the ON/OFF key light would be flashed quickly).

 **Delay timer**

When the motor is in working condition, press one time to set up 5 minutes delay, press again to turn off the delay function.

 **Light**

Press one time to turn the lights on, press again to turn the lights off.

Note:
Atmospheric light: The atmospheric light for all the keys are on half-brightness condition when the power is on. When press on the key, the lights would go to full-brightness condition. When do not press on the key, the light ring go back to half-brightness. When there is no pressing on the keys for 2 minutes, the atmospheric light would turn from half-brightness to off condition, would recover o half-brightness when press any key.

Touch control (T02)



ON/OFF (Digital display)

Press this key to switch on/off the cooker hood.

Power decrease

In working condition, press this key to decrease the power level.

Power increase

In working condition, press this key to increase the power level.

Delay timer

In stand-by and working condition, press this key for 3 seconds, the digital display will be flashed. Then the delay time for turning off the motor can be set up by press "Power decrease" and "Power increase" key to select delay timing from 1 minute to 9 minutes. Press the delay timer key again to save setting. If no further operation in 10 seconds, the setting will be saved automatically, and the display will indicate the countdown timing. The delay timer can be also set up stand-by condition, and start countdown in working condition only.

Light

Press one time to turn the lights on, press again to turn the lights off.

Note:

Digital Display: In working condition, the display will be off if no further operation in 2 minutes. And press again to switch on the display.

Touch control (T03)



ON/OFF (Digital display)

Press this key to switch on/off the cooker hood.

Power decrease

In working condition, press this key to decrease the power level.

Power increase

In working condition, press this key to increase the power level.

Delay timer

In stand-by and working condition, press this key for 3 seconds, the digital display will be flashed. Then the delay time for turning off the motor can be set up by press "Power decrease" and "Power increase" key to select delay timing from 1 minute to 9 minutes. Press the delay timer key again to save setting. If no further operation in 10 seconds, the setting will be saved automatically, and the display will indicate the countdown timing. The delay timer can be also set up stand-by condition, and start countdown in working condition only.

Light

Press one time to turn the lights on, press again to turn the lights off.

Remote function refer to remote panel

Note:

Digital Display: In working condition, the display will be off if no further operation in 2 minutes. And press again to switch on the display.


Touch control (T04)



ON/OFF

Press this key to turn the power on or off.

Filter clean

When first time switching on the power, and the hood is working for 14 hours continuously, the reminder for washing the filter  will be on.

Power decrease

1. In working condition, quick pressing to decrease the motor level.
2. In delay timer setting condition, quick pressing to decrease the timing 1 minute, slow pressing to decrease timing continuously.
3. In timing setting, quick pressing to decrease 1 hour/minute, slow pressing to decrease continuously.

Power increase

1. In working condition, quick pressing to increase the motor level.
2. In delay timer setting condition, quick pressing to increase the timing 1 minute, slow pressing to increase timing continuously.
3. In timing setting, quick pressing to increase 1 hour/minute, slow pressing to increase continuously.

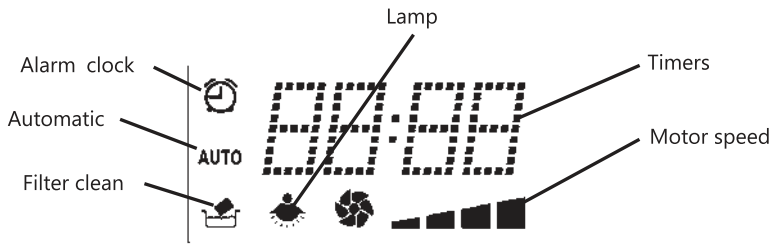
Delay timer

1. Delay timer setting: When in stand-by condition, press one time to add 5 minutes (from 5 minutes to 60 minutes), and the setting will be saved if no further operation in 10 minutes. And the display will show real-timing. When the motor start working, press again to active the delay timer function.
2. Timer setting: In stand-by and power off condition, press for 3 seconds to set up the timing, the related 3 keys lights will be on. The setting will be saved if no further operation in 10 seconds.

Light

1. Quick pressing to turn ON/OFF the lights.
2. Slow pressing to check the working hours of the motor. Quick pressing to finish the checking and buzzer buzzes one time. Or it will finished checking automatically if no further operation in 10 seconds. When the motor working for 14 hours, the clean mark LED will be on, the clean mark will be off by slow pressing.

Remote function refer to remote panel



1. In stand-by and working condition, the LED will be shut off in 2 minutes if no further operation, and press any key to turn the LED on again.

2. When the key lights are off, only ON/OFF and lights key can turn the LED on. In stand-by condition, press any key to turn the LED on. And all the operation is based on the LED is on.

Touch control (T18)



▶ Power up key

Press this key to make power on and increase the power one level..

◀ Power down key

On working condition, press this key to decrease the power one level.

On speed 1 condition, press this key 1 time to make the power off.

⌚ Delay key

When motor is on working condition, press one time to set 5 minutes delay, press another time to turn the delay function off.

💡 Light key

Press one time for turning the lights on, press another to turn the lights off.

MAINTENANCE

Before cleaning, please switch the hood off and pull out the plug.

I. Regular Cleaning

Use a soft cloth moistened with hand-warm mildly soapy water or household cleaning detergent. Never use metal pads, chemical, abrasive material or stiff brush to clean the hood.

II. Monthly Cleaning for Grease Filter

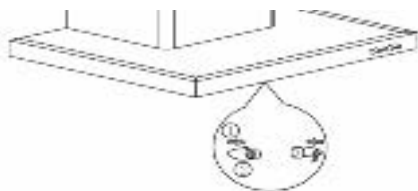
ESSENTIAL: Clean the filter every month can prevent any risk of fire. The filter collects grease, smoke and dust...So the filter is directly affecting the efficiency of the hood. If it is not cleaned, the grease residue (potential flammable) will saturate on the filter. Clean it with household cleaning detergent.

III. Annual Cleaning for Activated Carbon Filter

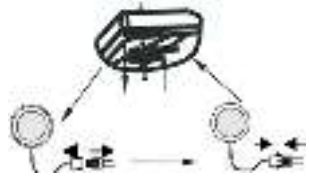
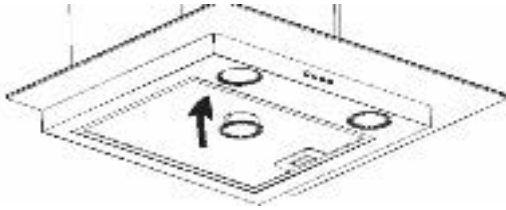
Apply SOLELY to hood that installed as a recirculation hood (not vented to the outside). This filter traps odours and must be replaced at least once a year depending on how frequent the hood is used.

IV. Bulb Replacement

1. Switch the hood off and pull out the plug.
2. Remove the lamp cover by unscrewing the 2 screws.
3. Unscrew the incandescent bulb.
4. Replace with the same type and rated bulb/lamp.
E14 Incandescent Bulb: (220V E14 Max 40W)



Halogen lamp (max. 20W) & LED lamp (max. 1.5W)



TROUBLE-SHOOTING

Fault	Cause	Solution
Light is on, but fan does not work.	The fan blade is jammed.	Switch the hood off and repair by qualified service personnel only.
	The motor is damaged.	
Both light & fan do not work.	The light bulb is burn.	Replace the light bulb in correct reated.
	The power cord is loose.	Plug in to the power supply again.
Serious Vibration of the hood	The fan blade is damaged.	Switch the hood off and repair by qualified service personnel only.
	The fan motor is not fixed tightly.	Switch the hood off and repair by qualified service personnel only.
	The hood is not hung properly on the bracket.	Take down the hood and check whether the bracket is in proper location.
Suction performance is not good	Too long distance between the hood and the cooker plane.	Readjust the distance to 65-75cm

ENVIRONMENTAL PROTECTION

Waste electrical products should not be disposed of with household waste. Please recycle where facilities exist. Check with your local authority or retailer for recycling advice.



Service Centre:
F-06-03, Setiawalk, Pusat Bandar Puchong,
47160 Puchong, Selangor, Malaysia.
Service Hotline: 03-8600 1648