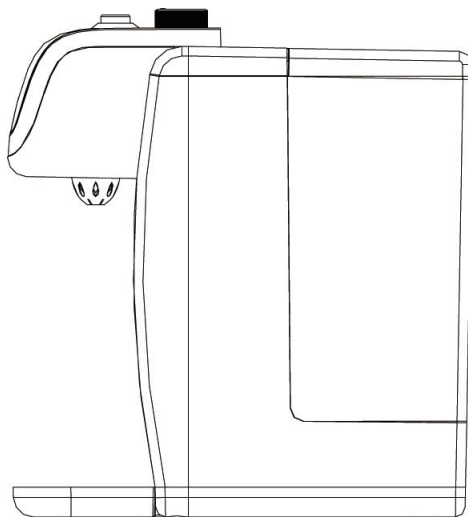


# VEES PREMIUM

## INSTANT BOILING WATER DISPENSER

### Instruction Manual



Model: VIB-M2288BK

*Read this booklet thoroughly before using and save it for future reference.*

### **IMPORTANT SAFEGUARDS**

Please make sure to follow below measures in operations of this water dispenser.

1. Read all instructions carefully before using.
2. Before use the appliance, please make sure the voltage indicated on the rating plate corresponds to the wall outlet at your home, if not please do not operate it and connect your local distributor for proper replacement.
3. Please check if the power cord, plug and the control panel is loose or damaged, or if the housing is cracked or deformed due to the heavy hit, please do not use the appliance if in any above cases, contact your local distributor immediately.
4. Do not operate the appliance without less water level to avoid damaging the heating elements.
5. Do not let the cord hang over the edge of table or counter, and not keep the appliance touch any hot surface.

6. Do not place the appliance on or near any gas or electric burner or inside heated oven.
7. Do not put the appliance into a working disinfection cabinet.
8. Do not freeze the appliance in the refrigerator.
9. Do not lean the appliance or operate it upside down.
10. Do not use it outdoors.
11. This appliance is not intended for use by persons (including children) with reduced physical, sensory or mental capabilities, or lack of experience and knowledge, unless they have been given supervision or instruction concerning use of the appliances by a person responsible for their safety.
12. Make sure to operate the appliance when children is under good custody.
13. This appliance is not a toy, please make sure the children do not play with it.
14. Please ensure the appliance is used on a firm and flat surface out of reach of children, to avoid being overturned in a sudden and result in the scald or hitting injury.
15. To protect against a fire, electric shock or other personal injury, do not immerse any part of the appliance in water or other liquid.
16. Do not touch the hot surface, water spout when the appliance is operating.
17. While the appliance is under working, do not touch or block the steam outlet by hand or other stuff, do not open the water tank lid in a rush, in order to avoid the scald by the hot steam or cause any other malfunctions.
18. To avoid being scalded, it is prohibited to use hand or any parts of your body to feel the temperature or steam when the appliance is using
19. Do not use the appliance to heat anything other than water. Do not fill above the “max” indication. Do not operate it if water is below minimum.
20. Unplug the appliance before do the cleaning, and make sure it is cool down thoroughly.
21. If the supply cord is damaged, it must be replaced by the manufacturer or its service agent or a similar qualified person in order to avoid any hazard.
22. The power cord could only be replaced by the exclusive power cord if any damages.

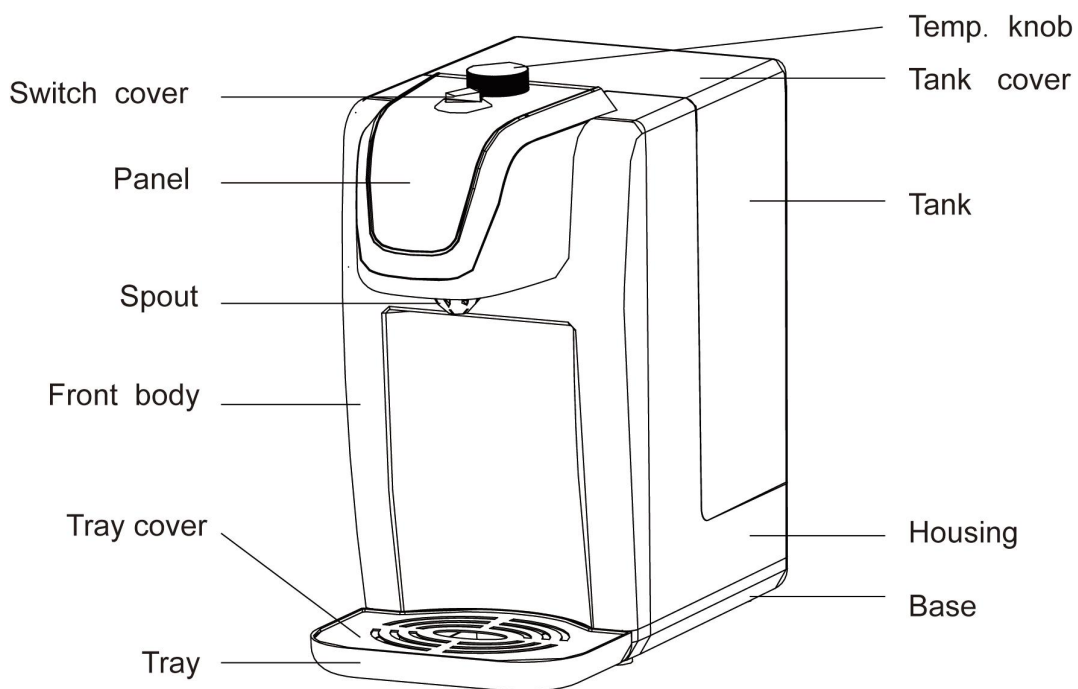
23. Do not operate the appliance when it is out of working or with malfunctions, return it to the nearest authorized service agent or manufacturer for examination, repair or replacement, do not try to disassembly it by yourself.

24. This appliance is intended to be used in household and similar locations such as:

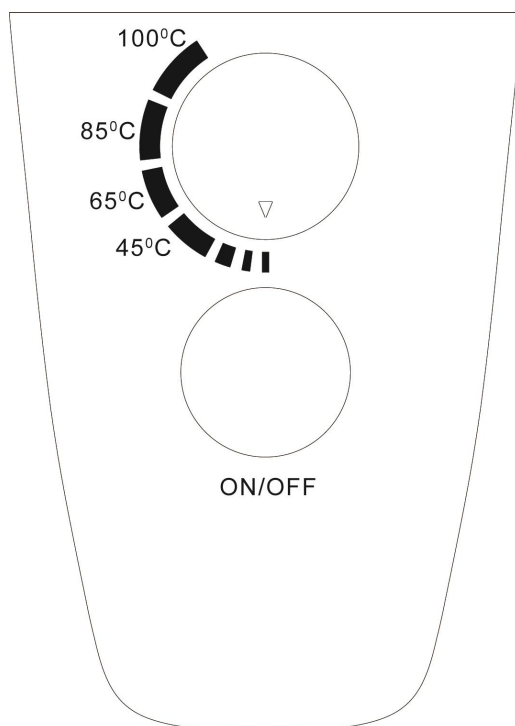
- staff kitchen areas in shops, offices and other working environments;
- farm houses;
- by clients in hotels, motels and other residential type environments;
- bed and breakfast type environments.

25. Please save this instruction booklet.

## 2 Mainpart name



### 3 Control panel details



**ON:** Switch open(green light)

**OFF:** Switch close

**0:** Normal temperature water

45C: 45 degree water

65C: 65 degree water

85C: 85 degree water

100C: boiling water

### 4 How To Use

#### **Before first use:**

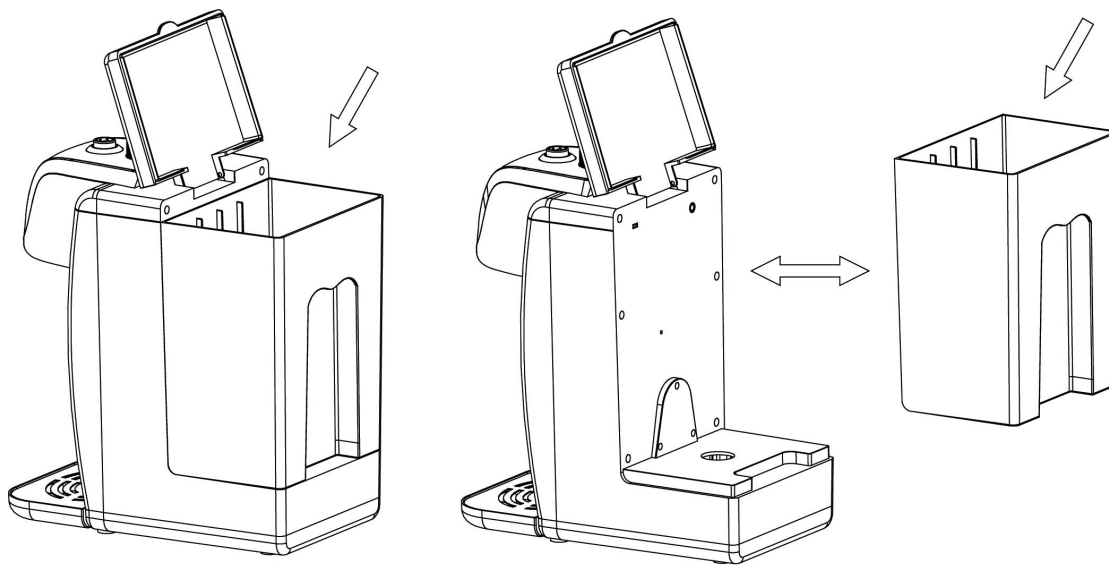
If use the appliance for first time, please clean up the water tank before use. Always unplug from the plug socket before cleaning.

Fill clean water in tank to clean, plug in and select 100C,press the switch to ON position, let the water flowing until tank is empty and repeat the same steps for several times, then refill the clean water in tank till Max level to be ready for operation.

#### **1. Fill in water**

Open the lid, fill the clean water in tank till Max level, and then close the lid. Note: the water

level must be over the Min level and less the Max level. You can select two methods as per the following:



Select one

Select two

Tips: Suggest to use purified water in the appliance.

## 2、 Obtain desired water

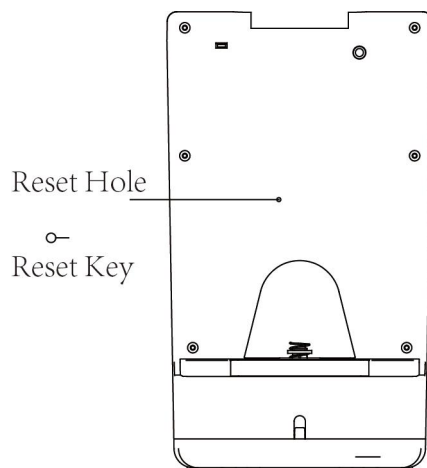
Make sure the plug is connected to the proper wall outlet, and fill the clean water to tank till Max level. Place your cup on the removable water tray, make sure it aligns with the spout. First select desired temperature, and press the switch to ON position, about 5-10s, the desired water will flow out continuously from water spout , when you obtain desired water, press the switch to OFF position, the appliance stop work at once, If you want to obtain water again, only repeat the above procedure.

### Remarks

--Do not touch the boiled water and steam in order to protect against the scald by the boiled water and hot steam.

--The appliance have manual thermostat to recover the heating function for abnormal operation,if the unit is no power, stop working, not boiling the water, you can reset the

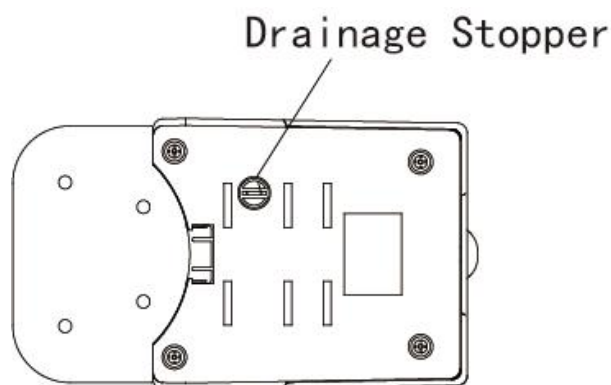
**thermostat by using a reset key to press the reset hole on the back of appliance.**



--After cleaning the appliance, please open the drainage stopper in order to clean up waste water, Pls tighten the drainage stopper after opening it.

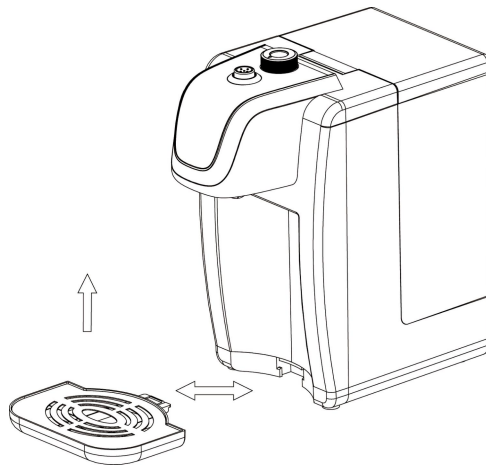
Note: If found water leakage from the bottom, pls tighten the drainage stopper.

--You can remove the spout so as to clean up scale deposit.



### **3、 Water disposal from the water tray**

When the water tray is full, to grasp and stabilize the appliance by one hand, use another hand to lift up the water tray slightly to remove it, empty the water tray and insert it into the original place with proper force.



## **5 Cleaning and Maintenances**

1. Always switch off and unplug your water dispenser and allow it to cool completely before cleaning.
2. Do not immerse the appliance into any liquid to avoid the damage.
3. To maintain its performance, suggest to descale the appliance at least once every month. Please add some citric acid or vinegar in tank, fill in water till max level in tank and operate under setting of 100C, volume 000, let water dispensing out until empty, operate the appliance about two or three times, the scale will be get rid of completely. After the completion, please add pure water to operate the appliance once before you drink.
4. Do not use any chemical, metal, wood or abrasive detergent to clean the appliance housing, always use a damp cloth.
5. Always handle the appliance gently, do not place it near the edge of the table and the counter, to protect against the deform or function damage in case it fall down from the table accidentally .

## **6 Storage**

If do not use the appliance for long, unplug and clean it, then put back into the original packing box to avoid the electrical components are humidified or damaged.

# **7 Technical specification**

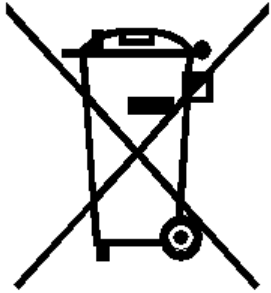
Model no: VIB-M2288BK

Volume: 2.2L

Rated: 220-240V,2200-2600W

Frequency : 50/60Hz

## **Environment friendly disposal**



You can help protect the environment!  
Please remember to respect the local regulations:  
hand in the non-working electrical equipments to  
an appropriate waste disposal center.



Service Centre: F-06-03, Setiawalk, Pusat Bandar Puchong, 47160 Puchong, Selangor, Malaysia.  
Service Hotline: 03-86001648