

Maintenance

Replace the switch

Open the glass panel by touching the lighting button, then cut off the power and remove the fixed screws of panel. Next, take off the panel and remove the fixed screws of control box, which can replace the switch.

Bulb/Tube Changing:

You must pull off the electric plug before changing the bulb or tube. Keep the power rate of lamp no more than 1.5W and you could check the power rate from label.

Cleaning:

Do not use cleaning agents containing soda, acids, chlorides or solvents;
Do not use abrasive cleaning agents, e.g. Power cleaners or cream cleaners and abrasive sponges, as well as pot scourers or sponges which have been used previously with abrasive cleaning agents.
Wear gloves when cleaning surfaces to prevent your hands being hurt by seamed edges.

Malfunctions and solutions

Fault	Cause	Solution
Press any buttons but no responses	The plug is not or improperly inserted or no power supply	Plug the power cord
The lamp doesn't work.	The lamp is damaged, poorly contacted with the power supply.	Replace the lamp with correct rating or plug in the power cord again.
A slight electric shock on the surface of cooker hood.	The electric outlet is not effectively grounded.	Use one-way triple socket and have a good grounding
Irregular sounds when the impeller operates.	The impeller becomes loose and screws are not fixed.	Tighten up the screw of impeller
Oil dripping	Installation of oil collector is not suitable.	Install correctly.

vees®

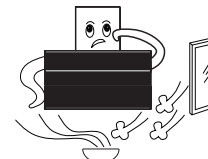
RANGE HOOD

INSTRUCTION MANUAL



DH-722DC

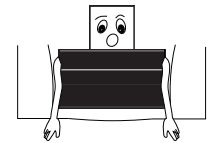
Installation cautions



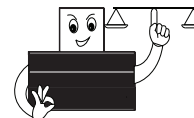
❑ Do not fix the hood so high, to prevent airflow from outside, which will affect the efficiency.



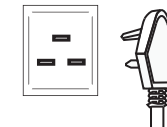
Do not burn the hood directly, to avoid damaging the hood and causing accidents.



❑ Please keep an enough space for hood installing & dismantling; it is helpful for inspection and maintenance.



❑ Please keep the hood in balance while installing.



❑ Please use 13 amp socket and it should be well connected with the grounding.



❑ Please install by a skilled and qualified installer.

vees®

Veas Kitchen Appliances Sdn. Bhd. (1399548-P)

F-06-03, Setiawalk, Pusat Bandar Puchong, 47160 Puchong, Selangor, Malaysia.

Service Hotline: 03-8600 1648

www.vees.com.my

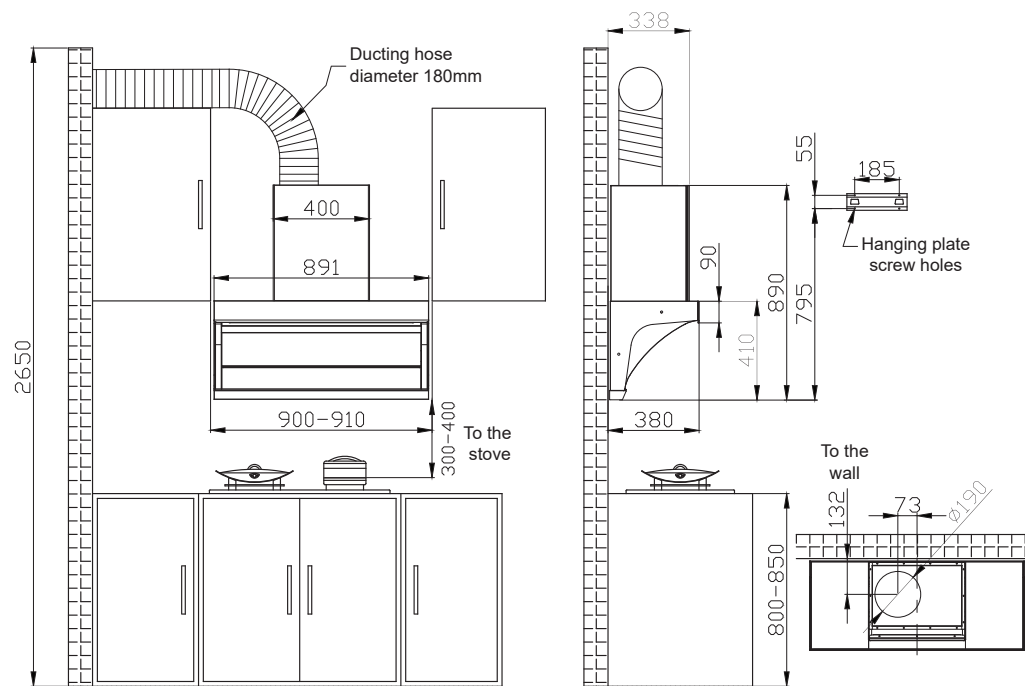
How to use



- 1. Gesture Sensing Power On:** After initial power-up and initialization, the indicator light turns off after 1 second, the switch lights up, and the system enters gesture sensing standby mode. Waving your palm from left to right in the sensing area activates the lighting, and the motor enters 6-speed operation mode. The motor operates in speeds F6 to F9 sequentially from low to high.
- 2. Gesture Sensing Power Off:** When waving your palm from right to left in the sensing area, the motor and lights stop working, entering a 1-minute delayed shutdown state.
- 3. Power On/Off:** Press the power button once to enter standby mode; press again to enter shutdown mode. In shutdown mode, press and hold the power button for 2 seconds to disable gesture sensing; press again for 2 seconds to enable gesture sensing. During operation of the range hood motor, pressing the power button initiates a 1-minute delayed shutdown and activates a countdown.
- 4. High Button:** Press once while in power-on mode to increase the fan speed by one level above the current setting.
- 5. Low Button:** Press once while in power-on mode to decrease the fan speed by one level.
- 6. Turbo Button:** Press once while in power-on mode to activate the range hood fan into a 120-second turbo mode, displaying "HHHH". After 120 seconds, it returns to the previous state.
- 7. Light Button:** Press once at any state to toggle the lighting on/off.
- 8. Clean Button:** Long press for 2 seconds while in power-on mode to enter auto heat cleaning mode. The process takes a total of 10 minutes (9 minutes for heating, 1 minute for oil removing). The range hood automatically shuts down after oil removal. During the process, long press the clean button or press the power button once to exit the cleaning mode.

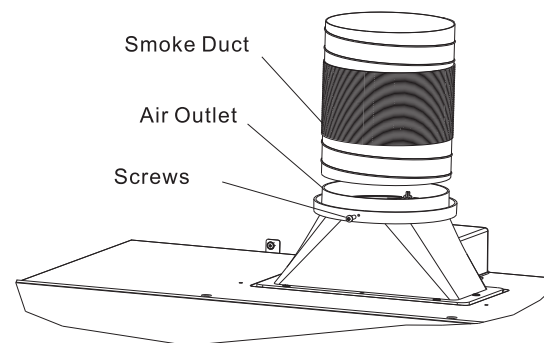
Installation method

Installation of Hood



- Notice:
1. Make sure the smoke duct is bending less than 90 degree;
 2. Don't connect with other duct hose diameter is less than 178mm.

Installation of Smoke Duct



- a). Put the end of smoke duct (with ▼ mark) into the groove of air outlet, fix it with screws, then throw toward outside or public exhaust channel.
- b). If the smoke duct is too long, please keep it in roll and fix it to avoid shaking while hood is working.